

M THE HIGH-LOAD work platform

The **M-Series** is the workhorse of Hydro Mobile's platforms. It is the perfect tool for any facade work that requires high capacity, whether for new construction or restoration. With a load capacity of 22,000 lb (9,979 kg), and a climbing rate of 3' (0.9m) per minute, it is perfect for masonry (brick or block), stone or marble facade work from 0 to 250' (76.2 m) in height.

The 7' (2.1 m) wide decks provide ample room for workers to perform their jobs in comfort. The M-Series structure allows for angled set-ups, and there are a multitude of accessories available that allow the platform to adjust to different architectural configurations and constraints of the work site. All of which contribute to an estimated 30% increase in productivity, due to greater labor efficiency and reduced set-up time, not to mention a safer work environment.

ELEVATING EFFICIENCY

Hydro Mobile designs and manufactures mast-climbing work platforms that integrate innovative structural, mechanical, ergonomic and safety features to increase productivity, facilitate project completion, reduce worker fatigue and considerably decrease the risk of injuries.

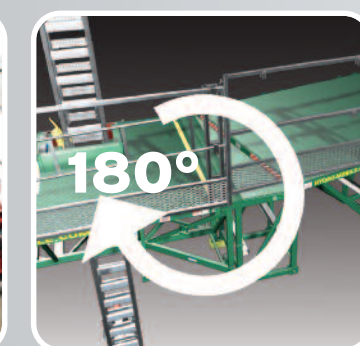
Hydro Mobile is also dedicated to providing training, client support and technical expertise to raise end-users proficiency with its products and help elevate efficiency at the work site.

HIGH SPEED
148' (45.1 m) length set up in 3 hours.

HIGH-TECH
0 to 180 degree angle configuration.

HIGH ON SAFETY
OSHA friendly.

HIGH DURABILITY
15 years minimum life expectancy.



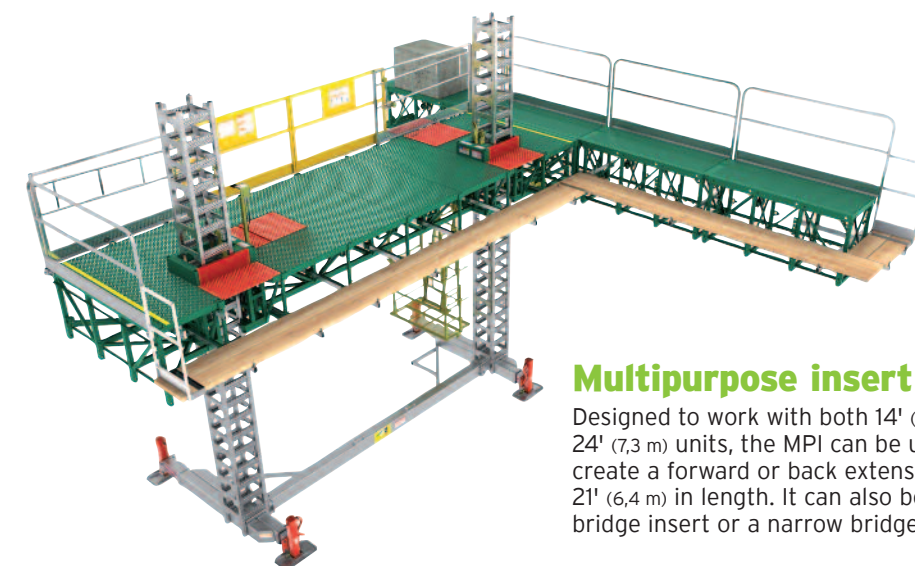
148' (45.1 m) platform set-up



64' (19.5 m) platform set-up

M-SERIES

- One unit can be extended up to 64' (19.5m)
- Two linked units can cover up to 148' (45.1 m)
- Three-dimensional, modular configuration
- Easy and minimal maintenance
- Easy and quick installation
- Self-contained storage



Multipurpose insert (MPI)

Designed to work with both 14' (4.3 m) and 24' (7.3 m) units, the MPI can be used to create a forward or back extension up to 21' (6.4 m) in length. It can also be used as a bridge insert or a narrow bridge on its own.

Monorail

The monorail system allows workers to slide loads along instead of having to carry them. Few parts and minimum hardware make for quick installation.



14' (4.3 m) platform

This platform combines power with smaller size to allow work to be undertaken in more confined spaces. Several units can be used for added flexibility. And its smaller size makes it highly portable.



Hoist system

Why go to the expense of renting a crane when our hoist system can do the job for you? Its 250' (76.2 m) anti-twist cable handles full pallets of block or brick. Its hydraulic power pack delivers 65' (19.8 m) per minute lift speed. Folding arches make for easy transport and storage.



Weather protection

Our weather protection system is perfectly designed to accommodate both top and bottom platform requirements. Most importantly, it keeps workers comfortable in all kinds of weather. And it can even be used to protect against falling debris.



"We have been using M-Series work platforms from Hydro Mobile for more than 8 years and now own over 20 M-Series units. With their 22,000 lb (9979 kg) capacity, the M-Series offers what we need for masons, for whom capacity is a major concern. And when potential clients get to know that you work with Hydro Mobile, they automatically see that you are more likely to perform."

– Dennis Knowlton

President
Knowlton & Sons Masonry Construction, Inc.



M 24'

Platform dimension (transport)	7' x 24' x 4' (2,1 m x 7,3 m x 1,2 m)
Min./Max. platform length	24' / 64' (7,3 m / 19,5 m)
Maximum load capacity	22,000 lb at 24' (9 979 kg at 7,3 m) 16,600 lb at 64' (7 530 kg at 19,5 m)
Maximum height	Up to 250' (76,2 m) nominal
Tie distance	20' (6,1 m) (30' [9,14 m] if pre-installed)
Free-standing	35' (10,7 m) with extended telescopic outriggers
Climbing speed	3' (0,9 m) per minute
Drive system	Hydraulic Ratchet Drive
Operating system	3.5" (8,9 cm) hydraulic cylinders @ 2 800 psi (19 305 Kpa)
Engine type	9 HP gasoline engine - with electrical starter
Total platform weight	7 300 lb (3 311 kg)
Mast section	16" x 16" x 60" (40,6 cm x 40,6 cm x 1,5 m) - 235 lb (107 kg) per section

M 14'

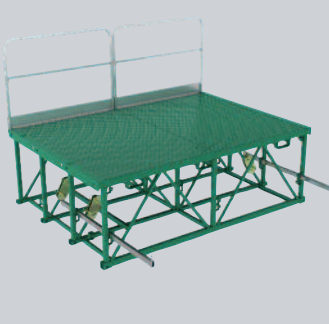
Platform dimension (transport)	7' x 14' x 4' (2,1 m x 4,3 m x 1,2 m)
Min./Max. platform length	14' / 34' (4,3 m / 10,4 m)
Maximum load capacity	22,000 lb at 14' (9 979 kg at 4,3 m) 19,300 lb at 34' (8 754 kg at 10,4 m)
Maximum height	Up to 250' (76,2 m) nominal
Tie distance	20' (6,1 m) (30' [9,14 m] if pre-installed)
Free-standing	25' (7,6 m) with extended telescopic outriggers
Climbing speed	3' (0,9 m) per minute
Drive system	Hydraulic Ratchet Drive
Operating system	3.5" (8,9 cm) hydraulic cylinders @ 2 800 psi (19 305 Kpa)
Engine type	9 HP gasoline engine - with electrical starter
Total platform weight	6 000 lb (2 722 kg)
Mast section	16" x 16" x 60" (40,6 cm x 40,6 cm x 1,5 m) - 235 lb (107 kg) per section

MONORAIL SYSTEM

Load capacity	Up to 1 000 lb (454 kg) as per distance from face of work
Beam length and weight	9' (2,7 m) long - 85 lb (38 kg)
Handling equipment	1 ton trolley and 1 ton chain block

HOIST SYSTEM

Engine	Honda 20 HP V-twin gasoline engine - electrical starter
Travel speed	65' (19,8 m) per minute controlled by a 2-speed hand-held box
Winch type	Pull Master - 250' (76,2 m) of 3/8" (9,5 mm) steel cable
Load capacity	4 000 lb (1 814 kg) of 3/8" (9,5 mm) of cable
Hydraulic system	HD hydraulic pump operates at 2 000 psi (13 790 Kpa) - full modulating control valve with individually adjustable pressure
Total Weight	2 500 lb (1 134 kg)



BRIDGES

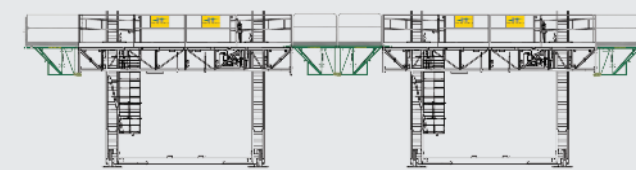
MULTIPURPOSE INSERT BRIDGE (MPI)

Maximizes system flexibility with corner set-ups and 2'9" (0,8 m) bridge length increment



6' (1,8 m) BEARING BRIDGE ADAPTER

Shortest bearing bridge on the market for maximum system flexibility



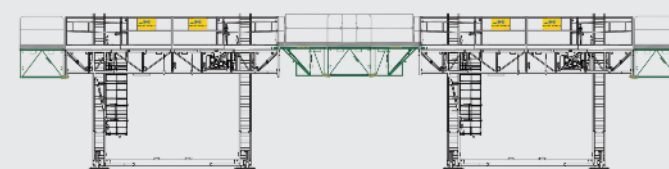
LOAD CAPACITIES

Cantilever position : 5 000 lb (2 268 kg)
Bearing position : 15,600 lb (7 076 kg)

two 6' (1,8 m) bridges between two motorized units

5' (1,5 m) MODULAR BRIDGE

Medium length modular bridge allows for quick assembly of medium length runs



LOAD CAPACITIES

Cantilever position : 5 000 lb (2 268 kg)
Bearing position : 14,800 lb (6 713 kg)

one 5' (1,5m) modular bridge bolted to two 6' (1,8 m) bridge adapter between two motorized units

10' (3 m) MODULAR BRIDGE

Maximum length modular bridge maximizes the system efficiency



LOAD CAPACITIES

Cantilever position : 4 500 lb (2 041 kg)
Bearing position : 14,300 lb (6 486 kg)

one 10' (3 m) modular bridge bolted to two 6' (1,8 m) bridge adapter between two motorized units

ELEVATING EFFICIENCY

High on safety

Hydro Mobile is committed to designing and manufacturing products that contribute to creating hazard-free work environments. It is the policy of the company to offer quality products that contribute to increased worker safety, security and longevity.



For more information on the M-Series or to locate your nearest distributor, call us now at: **1-888-484-9376** or visit our Web site www.hydro-mobile.com



ELEVATING EFFICIENCY

125, de l'Industrie
L'Assomption, Québec
Canada J5W 2T9
Phone: 450.589.8100
Toll free: 1.888.484.9376
Fax: 450.589.0370
hydro@hydro-mobile.com

Distributor:

Productivity

Safety systems are built into all Hydro Mobile platforms. This reduces the number of work-related injuries and loss of man-hours. Taken together, these factors mean contractors can feel much more confident about their ability to meet deadlines.

Safety

Hydro Mobile's platforms are so safe that workers don't even need to be tied with a lifeline on the work area.

Ergonomy

Skilled replacements are becoming increasingly hard to find. Given the design characteristics of the platforms, materials

can always be placed at a comfortable height for workers. This lessens the need for bending and lifting relatively heavy weights, which significantly reduces long term wear-and-tear.

Training

Our emphasis on training is one of the key factors in increasing our clients' efficiency. We even have the Hydro Mobile University where our clients can come and get accustomed to using the platforms they have purchased even before the platforms have been delivered. And our after-sales service is unrivalled.

" Safety and productivity are major concerns in the construction industry. A Hydro Mobile platform is set up once from the ground. From there, workers are safe all the way up. Furthermore, workers are positioned at a comfortable level, making it easier to lift materials, thereby reducing physical effort. Better ergonomics translates into increased productivity. And Hydro Mobile work platforms have greatly simplified my life regarding OSHA inspections. "

- Patrick W. Murphy
Sucato Builders, NY



ELEVATING EFFICIENCY